

ZELUS

GEL Technology Battery

GBC Deep Cycling

GBC 6/180

6V, 180Ah/C5

FEATURES

- GBC was designed with solid lead plated and gelled electrolyte technology.
- A deep-cycle lead-acid battery is designed to deliver a maximum capacity and cycles as discharging.
- High temperature stability, mechanical strength and low acid displacement.
- Superior performance with deep discharges.
- Patented safety valve to have accurate pressure operating for long battery life.

APPLICATION

- Golf Cars
- Power Wheelchairs
- Floor Sweepers
- Recreational Vehicle (RV)
- Renewable Energy



SPECIFICATIONS

Nominal Voltage	6 V
Nominal Capacity	180 Ah @ 5 hour rate F.V.(1.70V/cell)
Approx. Weight	32800g(72.31lbs.)
Terminals	I3(I4 is optional)
Internal Resistance	≤2.5mΩ (Fully Charged)
Max. Discharge Current	800 A (5 sec.)
Max. Charge Current	36.0 A
Self Discharge	< 2% per month (25°C)
Operating Temperature Range	-20°C~55°C(-4°F~131°F)
Container Material	Standard: ABS(UL 94-HB) GBC 6/180 Optional: Flame Retardant ABS(UL 94-V0) GBC 6/180FR

WSF
ISO9001

RU
MH19884

WSF
ISO14001

CE
CQM20310-2474-E-16

WSF
OHSMS

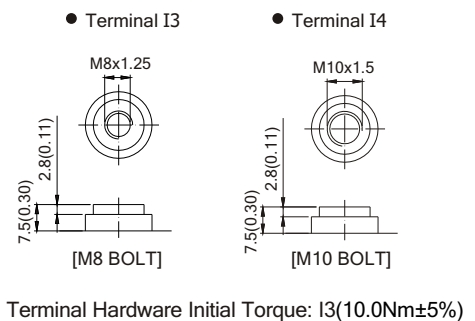
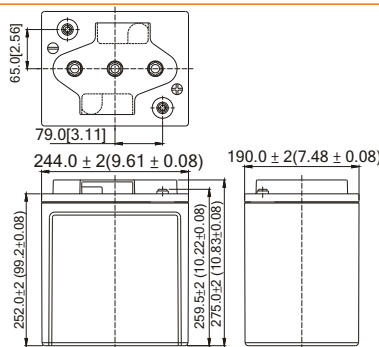
- GB/T 7403.1-2008
- IEC60254-1: 2005

DIMENSION(mm/inch)

OUTER DIMENSIONS

TERMINAL TYPE

- **Length**
244.0±2(9.61±0.08)
- **Width**
190.0±2(7.48±0.08)
- **Container Height**
275.0±2(10.83±0.08)
- **Total Height**
275.0±2(10.83±0.08)



Constant power discharge characteristics at 25 °C/77 °F

Unit: W

Discharge Time F.V. (V/cell)	30 Min	1 Hr	3 Hr	5 Hr	10 Hr	20 Hr
1.80V	1118	667	288.6	210.9	113.2	59.57
1.75V	1135	687	294.3	214.9	114.9	60.48
1.70V	1144	702	297.9	215.9	115.8	60.95
1.65V	1148	710	300.2	216.6	116.2	61.14
1.60V	1148	717	301.8	217.3	116.2	61.14

Constant current discharge characteristics at 25 °C/77 °F

Unit: A

Discharge Time F.V. (V/cell)	30 Min	1 Hr	3 Hr	5 Hr	10 Hr	20 Hr
1.80V	186.4	112.8	48.34	35.33	18.91	9.949
1.75V	189.2	116.2	49.30	36.00	19.19	10.100
1.70V	190.7	118.6	49.90	36.16	19.34	10.179
1.65V	191.3	120.1	50.29	36.29	19.40	10.210
1.60V	191.3	121.3	50.55	36.40	19.40	10.210

All data and artworks shall be changed without prior notice, BB reserves the right to explain and update the information contained hereinto.

For operation, please refer to the instruction from technical manual.

Trial A/3 REV. May, 2014

Powered by

B.B. Battery Co., Ltd.