

Installation Guide Smart-UPS[™] On-Line Replacement Battery Module APCRBC140/APCRBC140J

Safety Messages

Read the instructions carefully to become familiar with the equipment before trying to install, operate, service or maintain it. The following special messages may appear throughout this manual or on the equipment to warn of potential hazards or to call attention to information that clarifies or simplifies a procedure.



The addition of this symbol to a Danger or Warning safety label indicates that an electrical hazard exists which will result in personal injury if the instructions are not followed.



This is the safety alert symbol. It is used to alert you to potential personal injury hazards. Obey all safety messages that follow this symbol to avoid possible injury or death.

WARNING

WARNING indicates a potentially hazardous situation which, if not avoided, **can result** in death or serious injury.

CAUTION

CAUTION indicates a potentially hazardous situation which, if not avoided, **can result in** minor or moderate injury.

NOTICE

NOTICE used to address practices not related to physical injury. The safety alert symbol is not used with this signal word.



Safety and General Information

**Inspect the package contents upon receipt.
Notify the carrier and dealer if there is any damage.**

- Adhere to all local and national electrical codes.
- Always recycle used batteries.
For information on recycling used battery modules, refer to the Battery Disposal Information sheet included with the replacement battery module.
- Recycle the package materials or save them for reuse.

Battery safety

- Before installing or replacing the batteries, remove jewelry such as wristwatches and rings. High short circuit current through conductive materials could cause severe burns.
- Do not dispose of batteries by burning them. The batteries may explode.
- Do not open or mutilate batteries. Released electrolyte is harmful to the skin and eyes, and may be toxic.

Replace Battery Modules

Actual models may differ in appearance from those depicted in these graphics. Installation process is identical for all models.

CAUTION

DAMAGE TO EQUIPMENT OR PERSONNEL

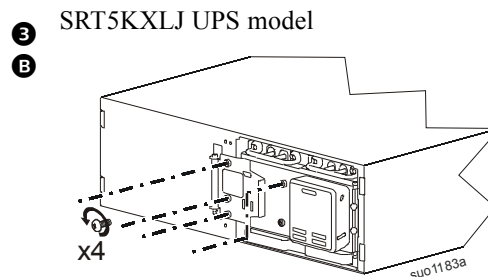
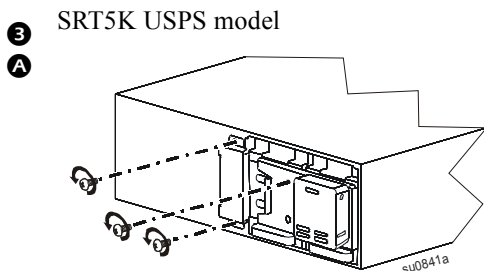
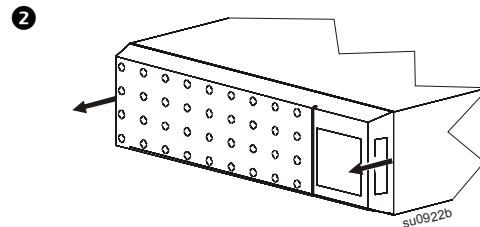
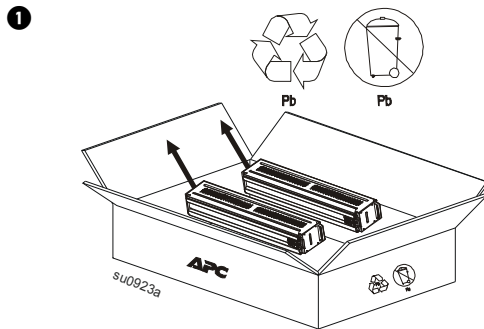
- The equipment is heavy. Each battery module weighs 17 kg (37 lb).
- Always practice safe lifting techniques adequate for the weight of the equipment.
- Adhere to all local and national electrical codes.
- Use the battery model handle to slide the battery modules in and out of the UPS and external battery pack (XLBP).
- Do not use the handle to lift or carry the battery module.

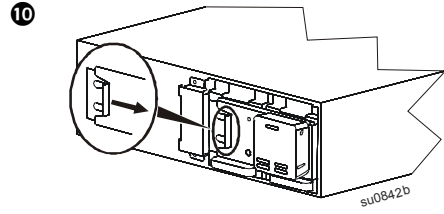
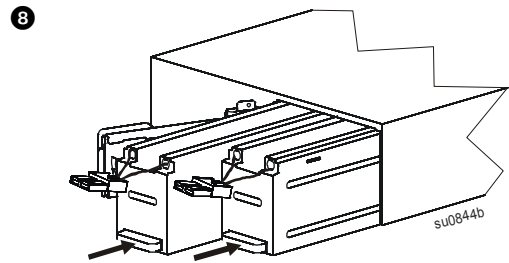
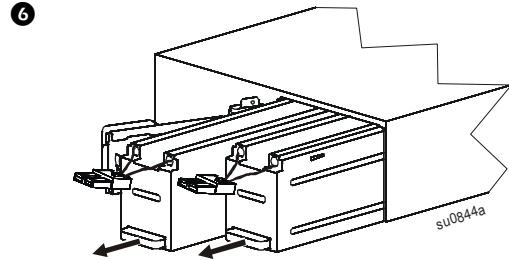
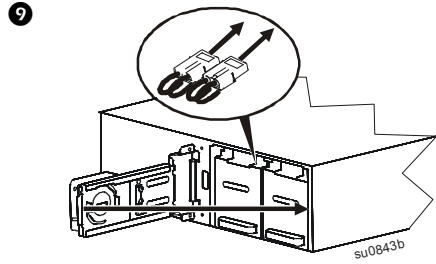
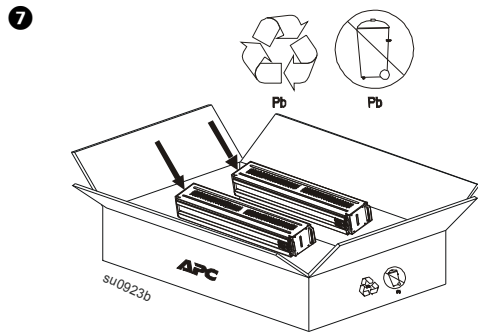
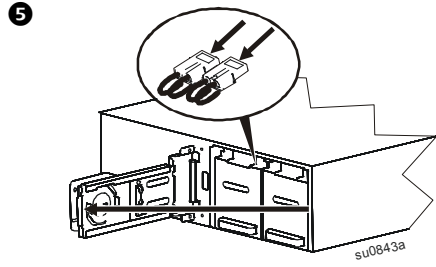
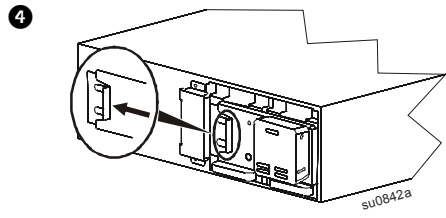
Failure to follow these instructions can result in equipment damage and minor or moderate injury.

Note: The batteries will charge to 90% capacity in the first three hours of operation on utility power. Do not expect full runtime capability during this initial charge period.

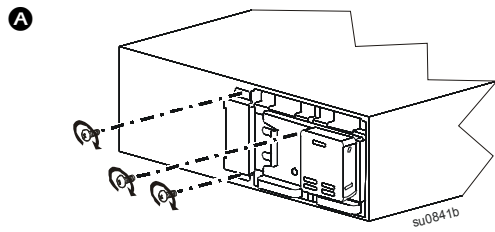
UPS model	RBC
SRT5KXLJ	APCRBC140J
SRT5K/SRT6K	APCRBC140
SRT8K/SRT10K	

SRT5K/SRT6K/SRT5KXLJ UPS models

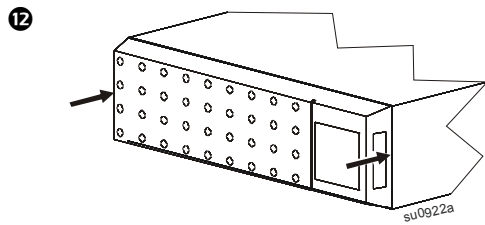
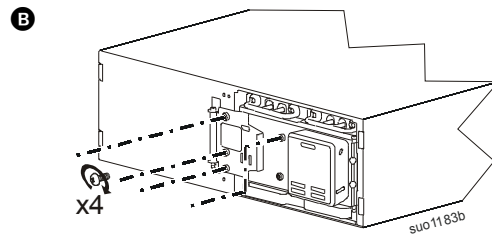




11 SRT5K USPS model

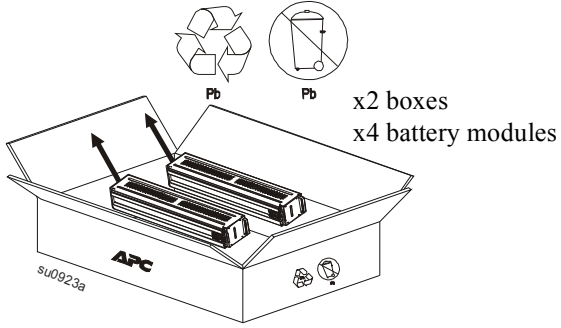


11 SRT5KXLJ UPS model

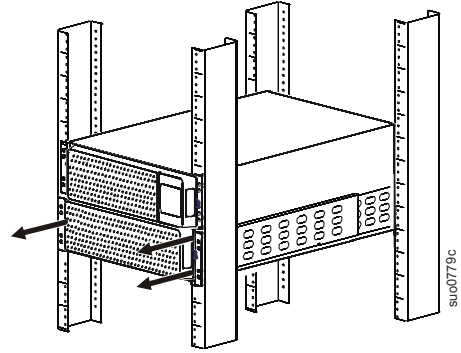


SRT8K/SRT10K UPS models

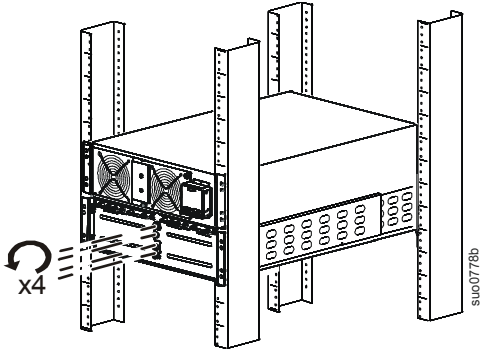
1



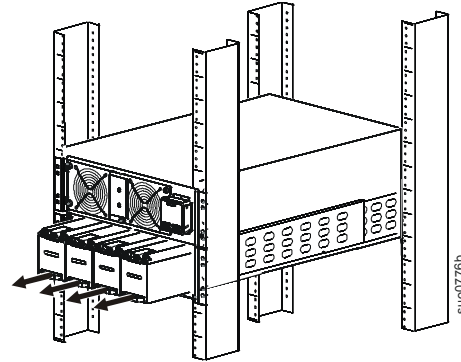
2



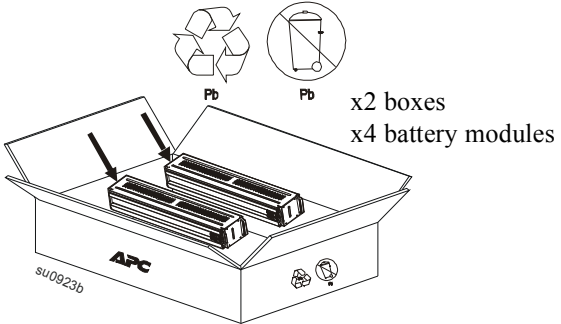
3



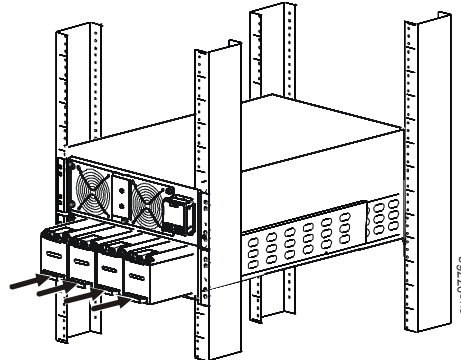
4



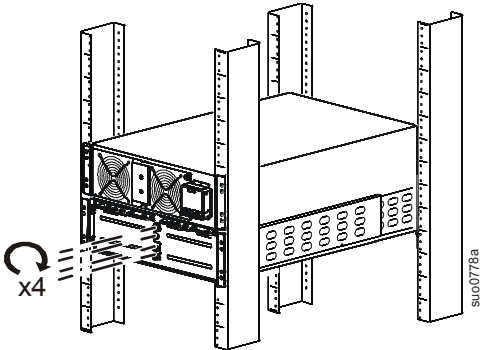
5



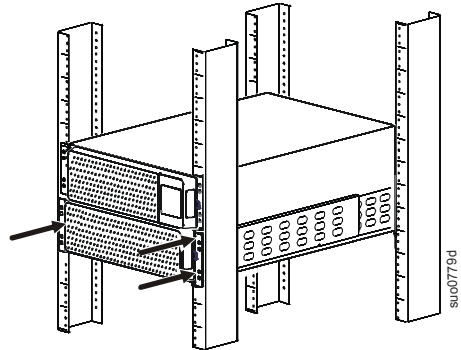
6



7

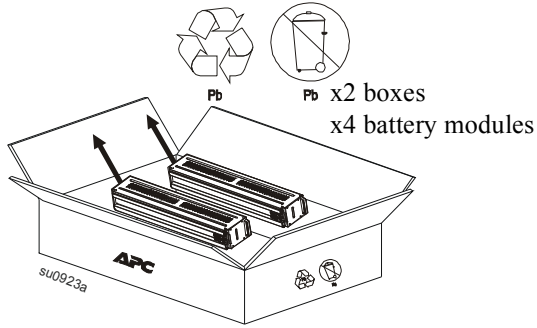


8

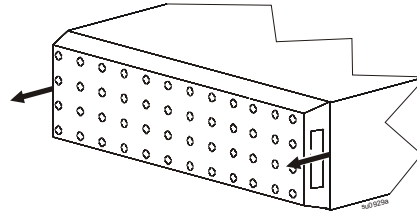


External battery pack SRT192BP, SRT192RMBP, SRT192BPJ

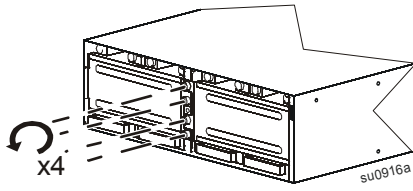
1



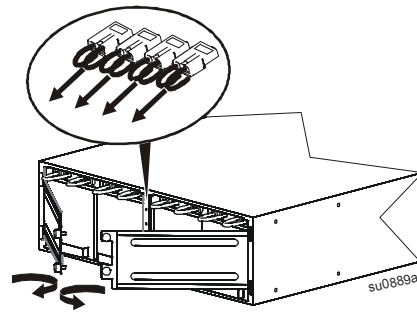
2



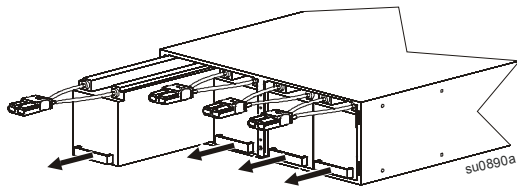
3



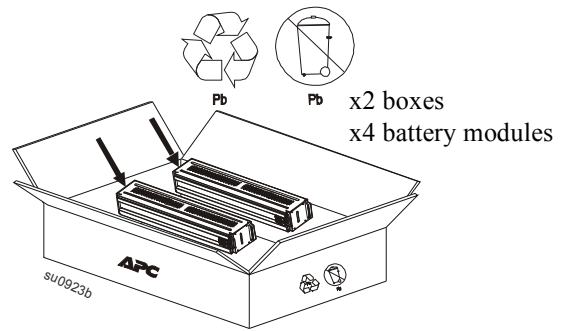
4



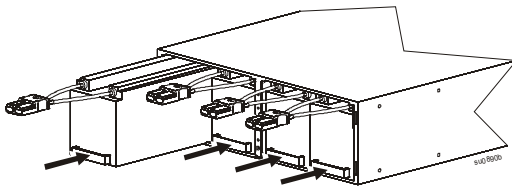
5



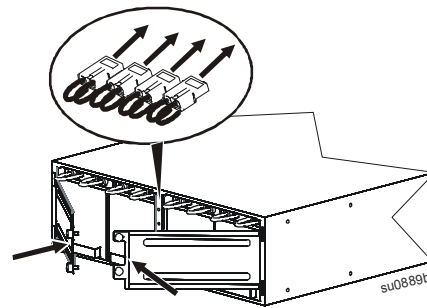
6



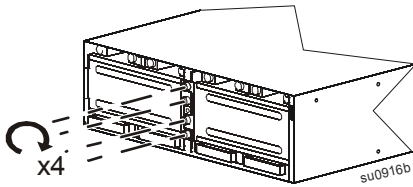
7



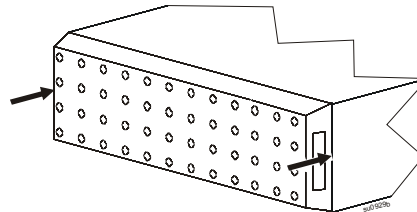
8



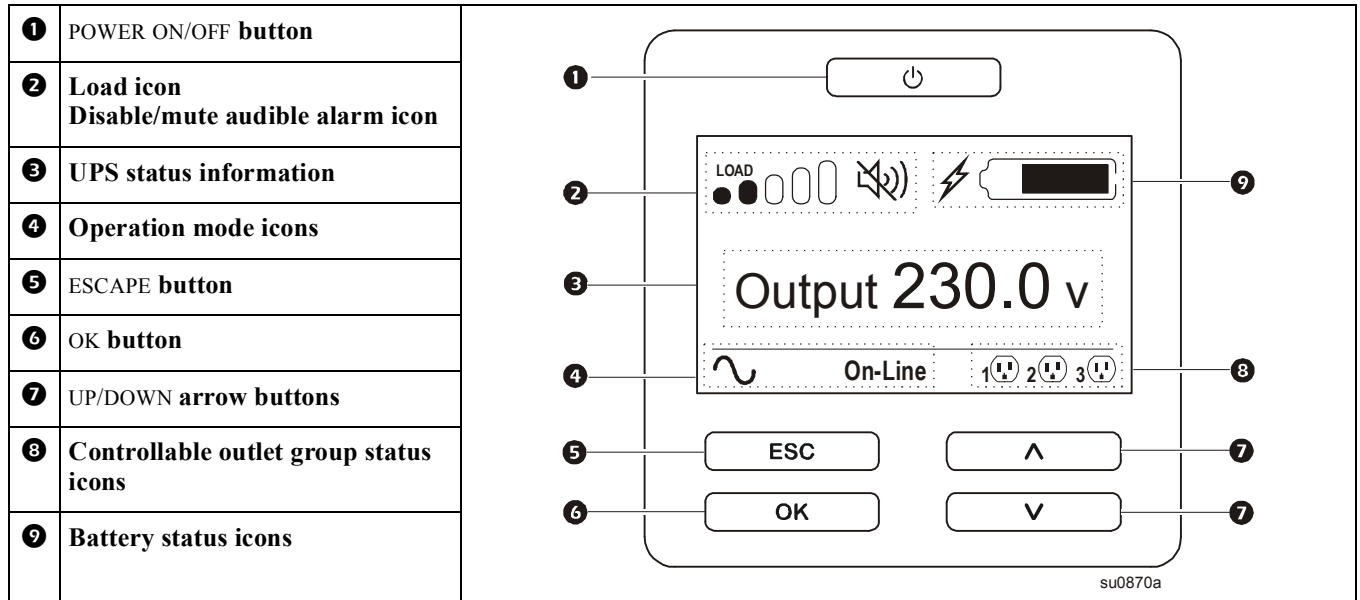
9



10



RBC Installation Date



After RBCs are installed, the LCD shows a message to confirm if the installed RBCs are new. Select the correct option.

- Option Yes: The UPS sets the current date as the install date of the new RBCs.
- Option No: There is no change in the RBC install date.

When the replacement battery cartridge (RBC), is charged to full capacity, perform a Self Test and a Runtime Calibration Test.

Check/modify the RBC install date

Use the UP/DOWN arrow buttons to navigate to the **Config Menu > Battery > Installation Date**.

Customer support and warranty information are available on the APC by Schneider Electric web site, www.apc.com.

© 2016 APC by Schneider Electric. APC, the APC logo, Smart-UPS and PowerChute are owned by Schneider Electric Industries S.A.S. or their affiliated companies. All other trademarks are property of their respective owners.

EN 990-5181A-002

5/2016