

<b>MODEL:</b>	27-GEL
<b>VOLTAGE:</b>	12
<b>DIMENSIONS:</b>	Inches (mm)
<b>BATTERY:</b>	VRLA GEL
<b>COLOR:</b>	Maroon (case) Grey (cover)
<b>MATERIAL:</b>	Polypropylene
<b>WATERING SYSTEM:</b>	N/A



## PRODUCT SPECIFICATIONS

BCI GROUP SIZE	TYPE	CAPACITY <sup>A</sup> Minutes @25 Amps	CAPACITY <sup>B</sup> Amp-Hours (AH)				ENERGY (kWh) 100-Hr Rate	TERMINAL Type <sup>E</sup>	DIMENSIONS <sup>C</sup> Inches (mm)			WEIGHT lbs. (kg)
			5-Hr Rate	10-Hr Rate	20-Hr Rate	100-Hr Rate			Length	Width	Height <sup>D</sup>	
<b>12 VOLT DEEP CYCLE GEL BATTERY</b>												
27	27-GEL	179	76	84	91	100	1.20	7	12.73 (323)	6.38 (162)	9.26 (235)	62 (28)

- A. The number of minutes a battery can deliver when discharged at a constant rate at 80°F (27°C) and maintain a voltage above 1.75 V/cell. Capacities are based on peak performance.
- B. The amount of amp-hours (AH) a battery can deliver when discharged at a constant rate at 77°F (25°C) for Gel Lines and maintain a voltage above 1.75 V/cell. Capacities are based on peak performance.
- C. Dimensions are based on nominal size. Dimensions may vary depending on type of handle or terminal.
- D. Dimensions taken from bottom of the battery to the highest point on the battery. Heights may vary depending on type of terminal.
- E. Terminal images are representative only.
- Trojan's battery testing procedures adhere to both BCI and IEC test standards.

## CHARGING INSTRUCTIONS

### CHARGER VOLTAGE SETTINGS (AT 77°F/25°C)

System Voltage	12V	24V	36V	48V
Absorption Charge	14.1 – 14.4	28.2 – 28.8	42.3 – 43.2	56.4 – 57.6
Float Charge	13.5	27	40.5	54

Do not install or charge batteries in a sealed or non-ventilated compartment. Constant under or overcharging will damage the battery and shorten its life as with any battery.

## CHARGING TEMPERATURE COMPENSATION


.028 VPC for every 10°F (5.55°C) above or below 77°F (25°C) (add .028 VPC for every 10°F (5.55°C) below 77°F and subtract .028 VPC for every 10°C above 77°F).

## OPERATIONAL DATA

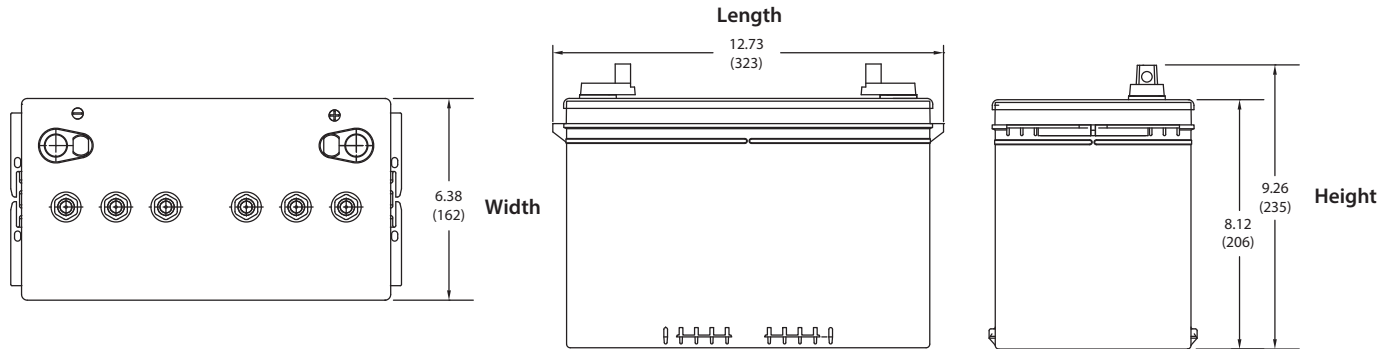
Operating Temperature	Self Discharge
-4°F to 113°F (-20°C to +45°C). At temperatures below 32°F (0°C) maintain a state of charge greater than 60%.	Less than 3% per month depending on storage temperature conditions.

Batteries may be utilized at higher temperatures with the understanding that battery life will be reduced by 50% for every 10° C (18° F) increase in operating temperatures over 68° F (20° C).

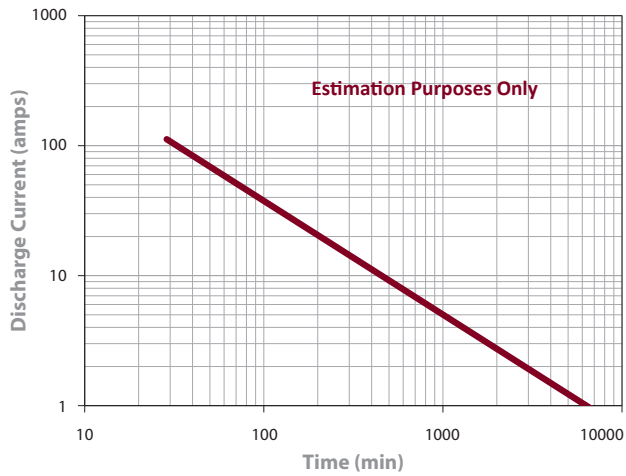
## TERMINAL CONFIGURATIONS

7	UT	Universal Terminal
		Terminal Height Inches (mm) 1.10 (28)
		Torque Values in-lb (Nm) 95–105 (11 – 12)
		Bolt 5/16"

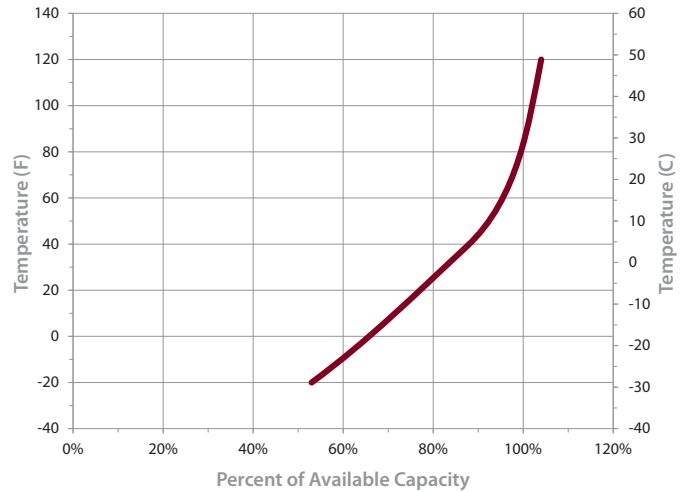
**BATTERY DIMENSIONS** (shown with UT)



**TROJAN 27-GEL PERFORMANCE**



**PERCENT CAPACITY VS. TEMPERATURE**



TROJAN BATTERY COMPANY WITH QUALITY SYSTEM CERTIFIED BY DNV  
= ISO 9001:2008 =



Trojan batteries are available worldwide through Trojan's Master Distributor Network. We offer outstanding technical support, provided by full-time application engineers.

**For a Trojan Master Distributor near you, call 800.423.6569 or + 1.562.236.3000 or visit [www.trojanbattery.com](http://www.trojanbattery.com)**

12380 Clark Street, Santa Fe Springs, CA 90670 • USA